

REMARKS

This amendment corrects errors in the text and drawings. Entry is respectfully solicited.

This amendment is submitted prior to or concurrently with the payment of the issue fee and, therefore, no petition or fee is required. No new matter has been added.

Respectfully submitted,

Brick G. Power  
Registration No. 38,581  
Attorney for Applicant(s)  
TRASKBRITT  
P.O. Box 2550  
Salt Lake City, Utah 84110-2550  
Telephone: 801-532-1922

Date: January 20, 2004  
BGP/csw

Enclosures: Replacement Sheets  
Annotated Sheets Showing Changes

\\Traskbritt1\Shared\DOCS\2269-4712US\59108.doc

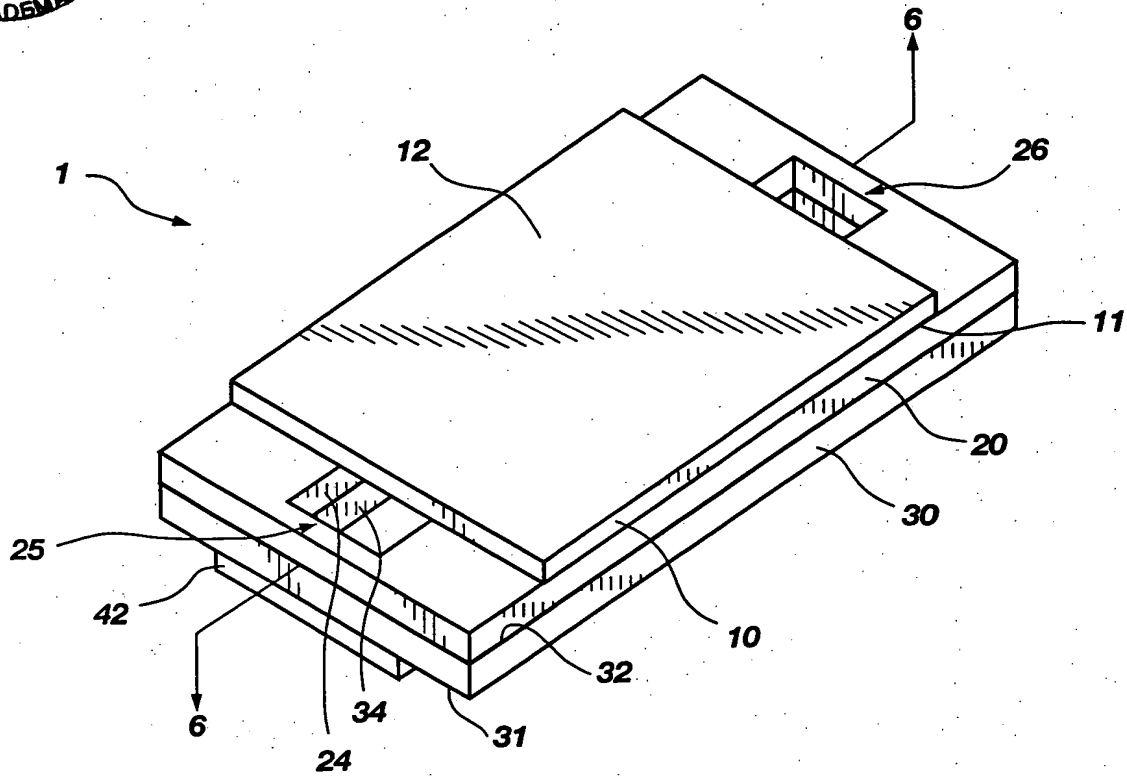
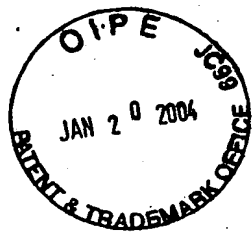


Fig. 5

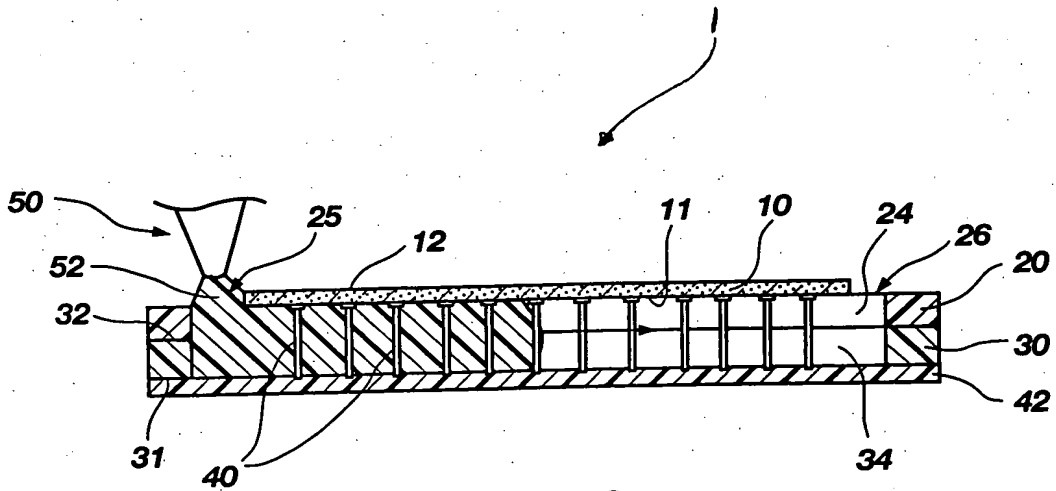
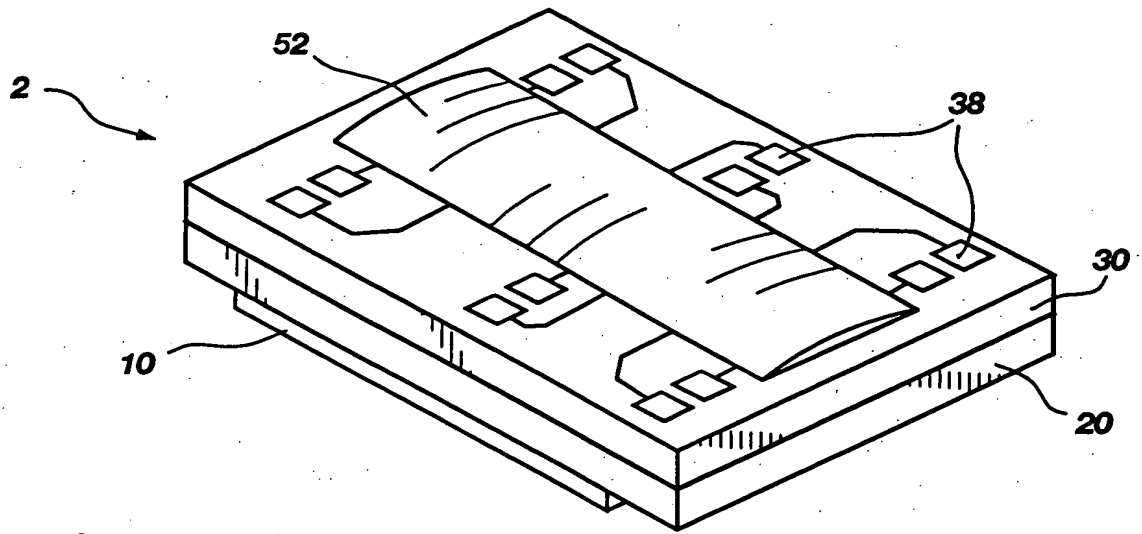
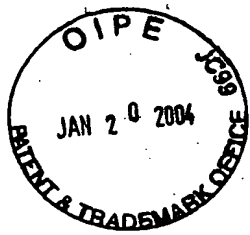
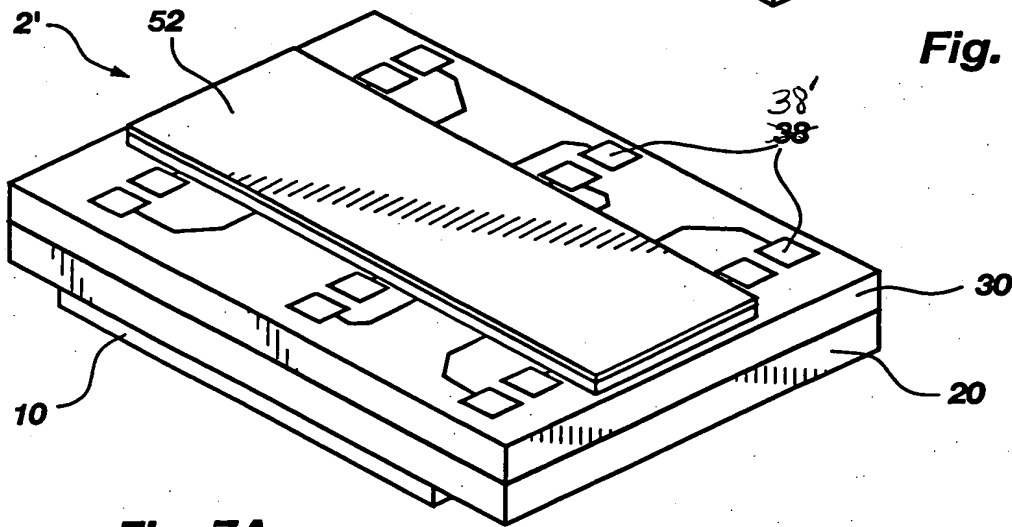


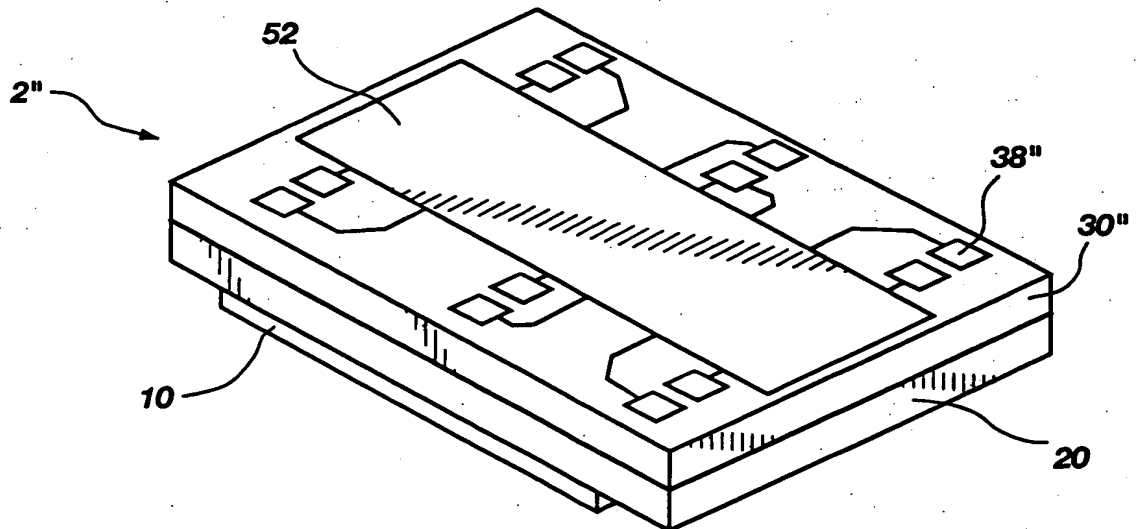
Fig. 6



**Fig. 7**



**Fig. 7A**



**Fig. 7B**

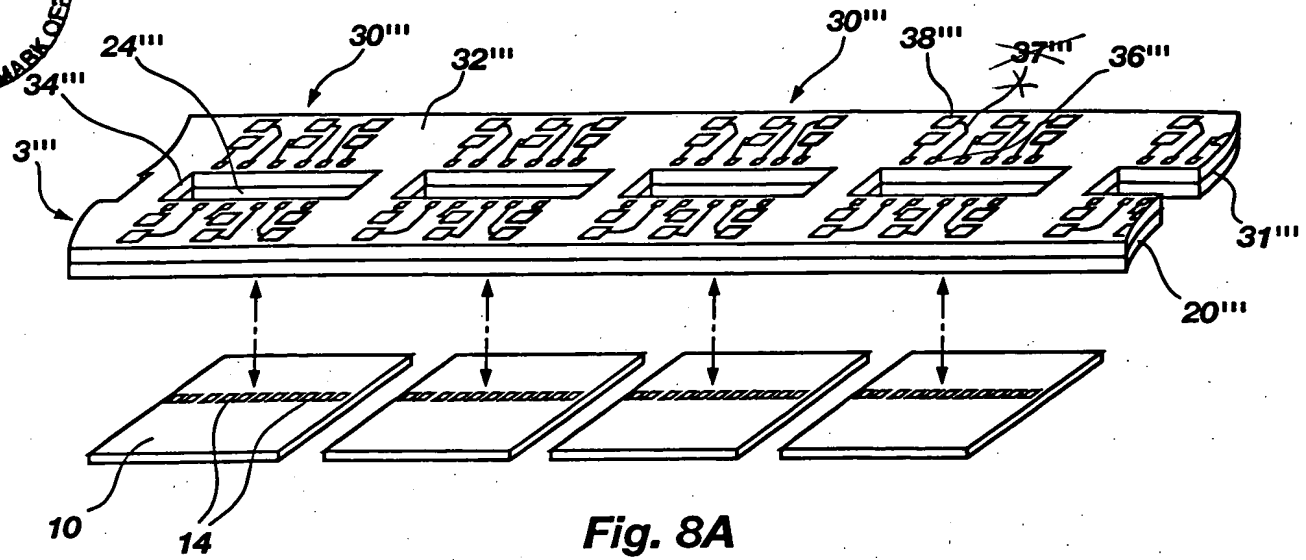


Fig. 8A

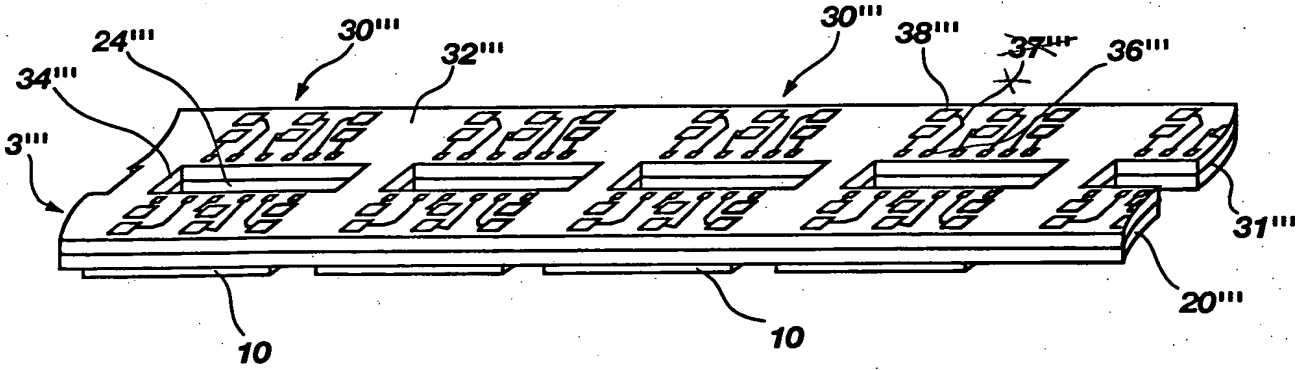


Fig. 8B

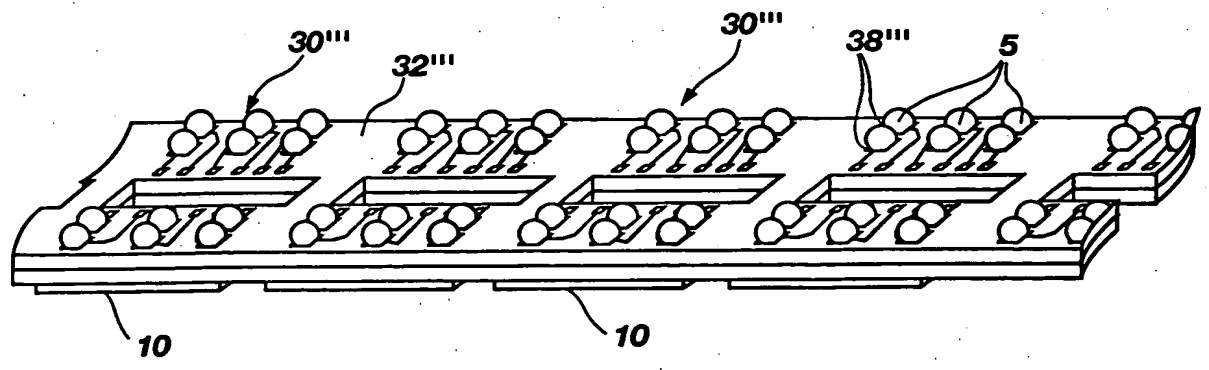


Fig. 8C